

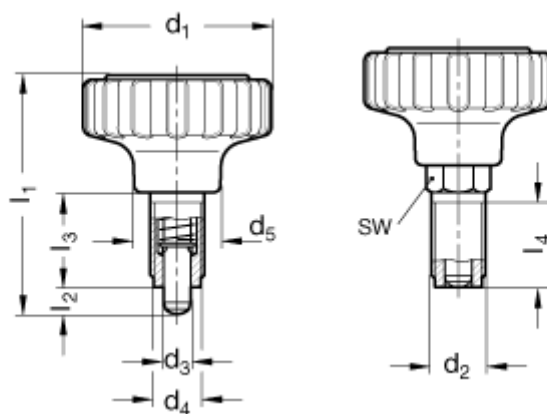
Data Sheet



Article number: 201140027

Description: E+G Indexing plunger
GN 7336.7-53-M16x1,5-8

Measures



$d_1 = 53$

$d_2 = M 16 \times 1,5$

$d_3 = 8$

$d_4 = 13,9$

$d_5 = 22,5$

$l_1 = 68$

$l_2 = 8$

$l_3 = 28$

$l_4 = 26$

$N = 11$

$sw = 16$